



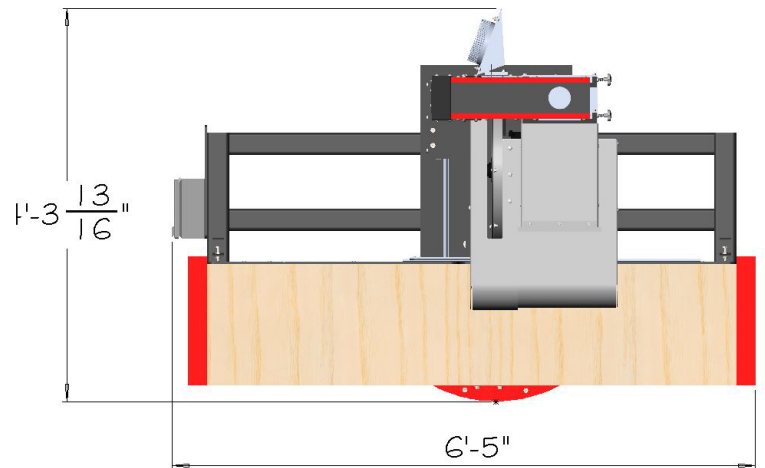
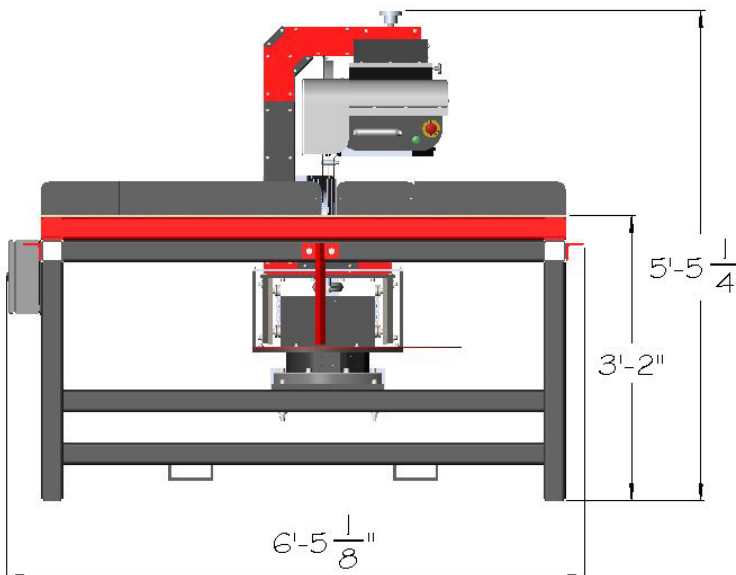
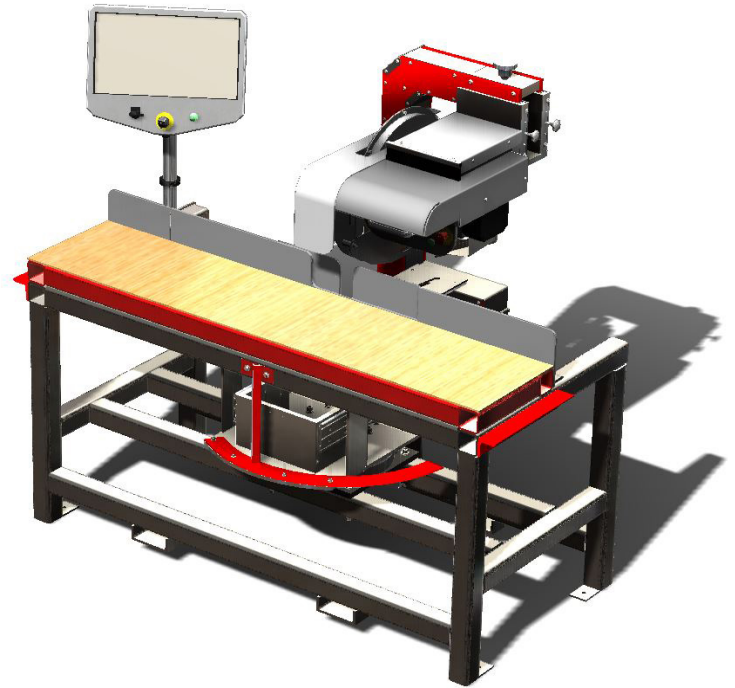
AUTOMATION  
SERVICE  
INNOVATION

asiRS

# MANUAL RADIAL ARM SAW

## FEATURES

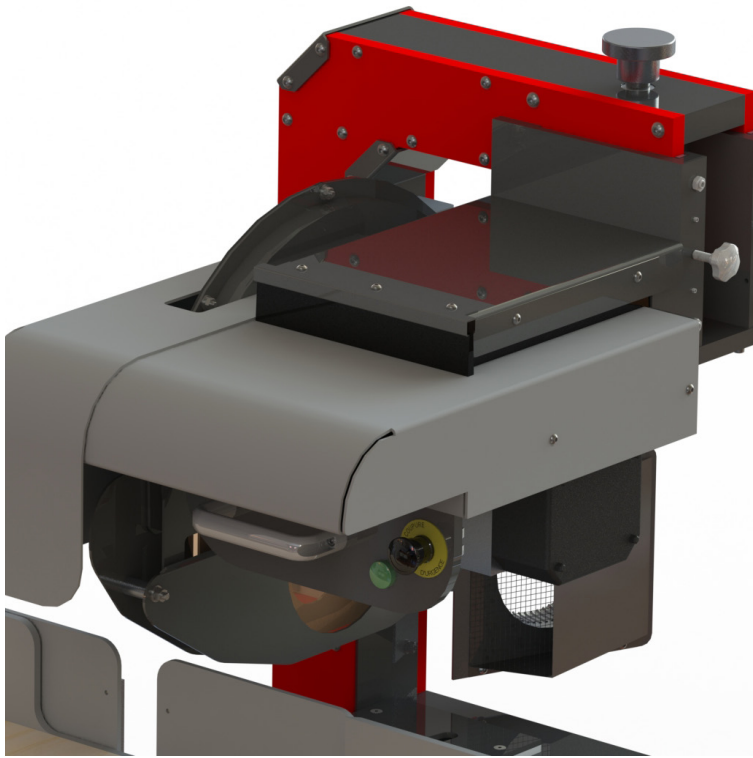
- New saw design with double slide minimizing footprint
- Roller slide reducing risks of injury by lowering the effort pulling the saw
- Hybrid aluminum-steel construction combining the robustness of steel for the frame with the lightness of aluminum for the moving head
- High resistance powder coat paint surface finish
- Blade travel adjusts automatically depending on the saw angle
- Saw arbor type 5 HP motor with integrated mechanical brake (575 Volts – 3 phases)
- Angles from 10° to 110°
- Head overall travel length of 26in
- 18in saw blade
- 6in cutting height
- Complete « wrap-around » blade guard
- 4in dust collector connection





AUTOMATION  
SERVICE  
INNOVATION

asiRS



## OPTIONS

Inlet-Outlet inclined roller conveyor

Basic automation system:

- Length only
- Angle and length

Plate marking printer (available with Basic option only):

- Options for 3 or 4 pens printer

Spare blade

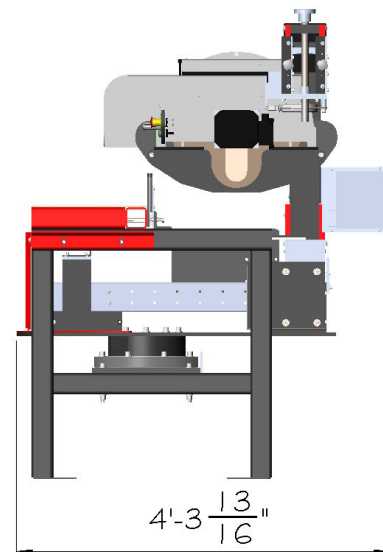
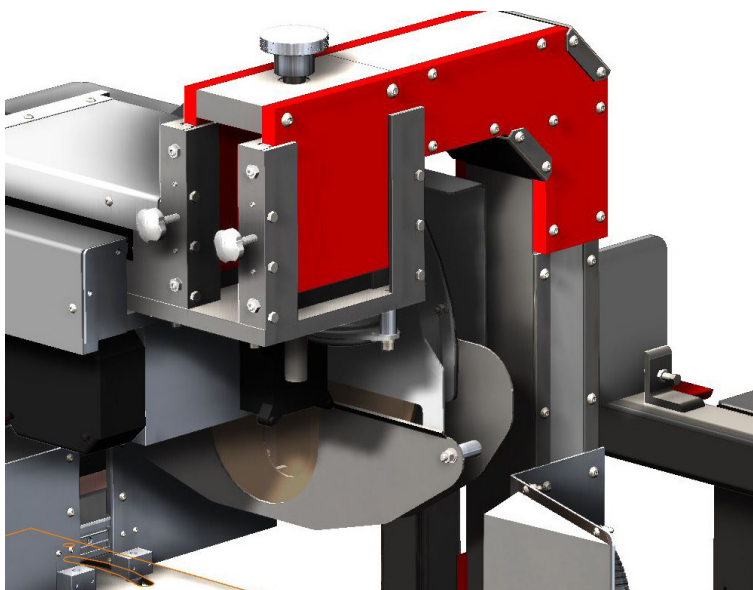
460 Volts – 3 phases blade motor

Lot of critical spare parts

Periodic maintenance program

UNIQUE DUAL  
SLIDE DESIGN

POSITION IT ONLY  
**20IN**  
FROM THE WALL



asinnovation.ca | 450.565.3553



2024\_ASIRS\_ENG